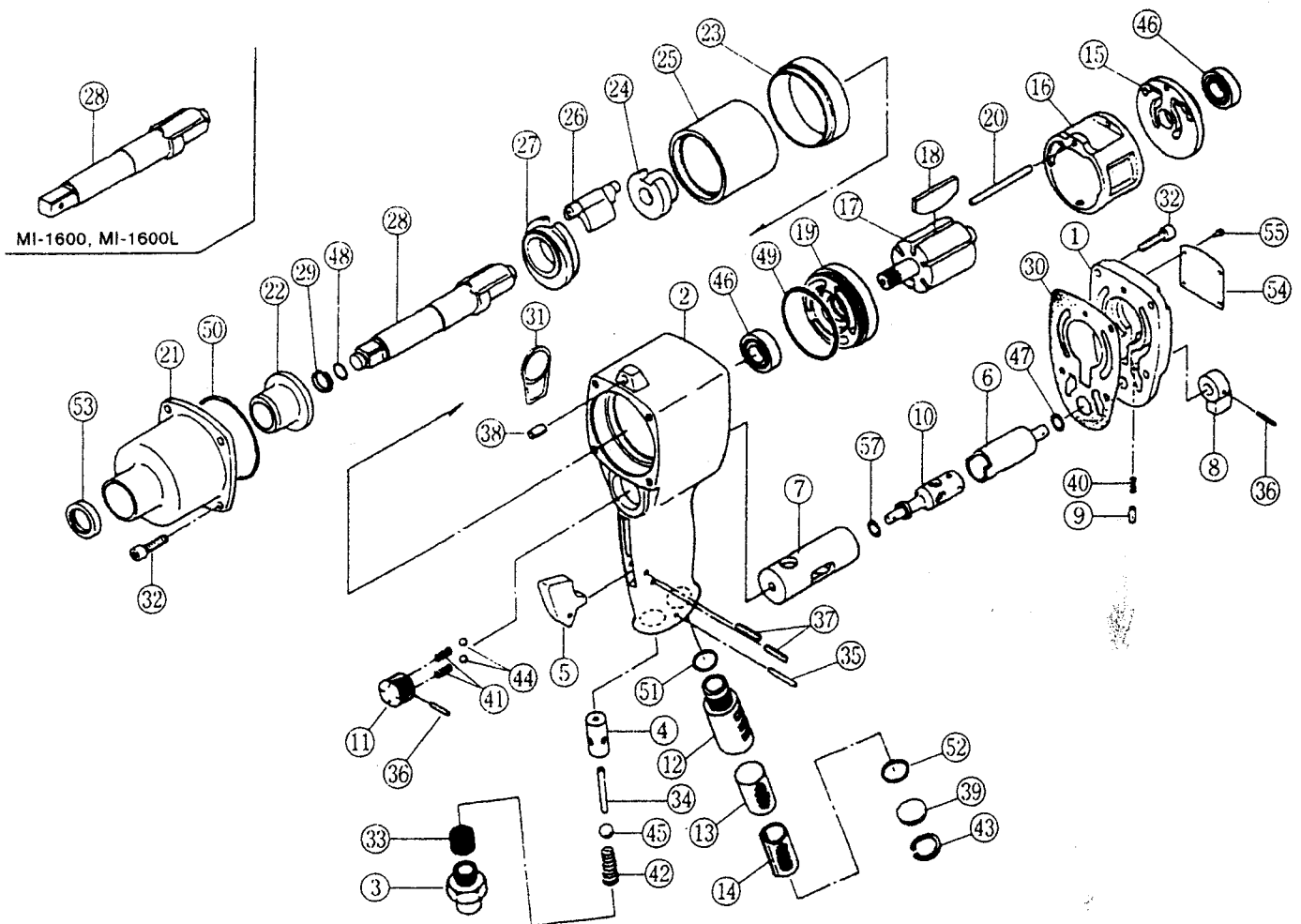


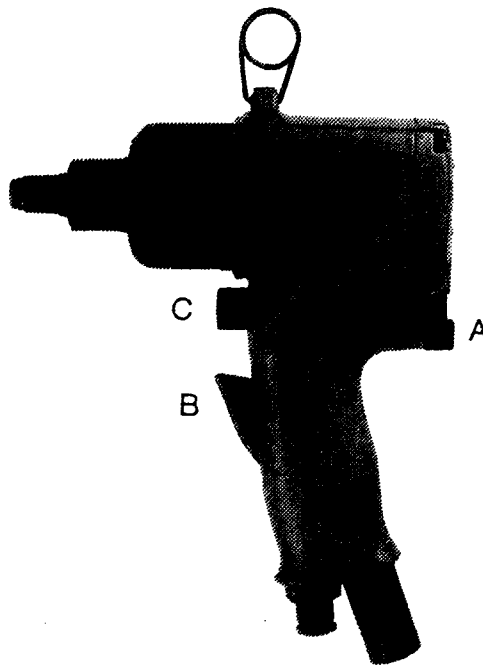
# Exploded view

● Impact wrench MI-1600/MI-1600R/MI-1600L/MI-1600LR



A.  
 links/rechts schakelaar  
 left/right switch  
 links/rechts Umschalter  
 gauche/droite interrupteur  
 cambio izquierda/derecha  
 højre/venstre kontakt  
 invertitore di rotazione  
 reglage vänster/högervarv  
 hendel for dreieretning

B.  
 bedieningsknop  
 throttle  
 Ventil  
 poignée tournante  
 valvula  
 regulering  
 comando d'avviamento  
 pådrag  
 starthendel



C.  
 regelknop  
 adjustment screw  
 Einstellschraube  
 vis de réglage  
 tornillo de ajuste  
 justeringsskrue  
 vite di regolazione  
 reglerskruv moment  
 momentjustering

9390-200-00

# Partslist

## ● Impact wrench MI-1600/MI-1600R/MI-1600L/MI-1600LR

| Index No. | Parts No.    | Q'ty Req. | Description                          | Index No. | Parts No.    | Q'ty Req. | Description                                  |
|-----------|--------------|-----------|--------------------------------------|-----------|--------------|-----------|--|
| 1         | 43-11-19-350 | 1         | Housing Cover                        | 29        | 13-08-03-106 | 1         | Socket Retainer (Ring-Retainer Type)         |
| 2         | 43-11-19-01C | 1         | Motor Housing (Incl. Index No7)      | 30        | 13-62-02-035 | 1         | Cover Gasket                                 |
| 3         | 46-18-50-90B | 1         | Air Inlet with screen (PT)           | 31        | 13-08-03-200 | 1         | Flying Ring                                  |
| 4         | 46-06-31-021 | 1         | Valve Seat                           | 32        | 13-17-05-020 | 8         | Hex Soket Bolt (M5×20)                       |
| 5         | 43-12-67-130 | 1         | Trigger                              | 33        | 13-10-19-200 | 1         | Helisert (U5/8-18N6)                         |
| 6         | 43-11-19-210 | 1         | Reverse Valve                        | 34        | 46-97-03-350 | 1         | Throttle Push Pin (4×23)                     |
| 7         | 43-11-19-200 | 1         | Reverse Valve Bushing                | 35        | 13-04-06-011 | 1         | Pin (2.5×22)                                 |
| 8         | 43-11-19-230 | 1         | Reverse Valve Lever                  | 36        | 13-06-02-016 | 2         | Spring Pin (2×16)                            |
| 9         | 46-05-42-201 | 1         | Reverse Valve Lever Notch            | 37        | 13-06-03-018 | 2         | Spring Pin (3×18)                            |
| 10        | 43-11-19-150 | 1         | Control Valve                        | 38        | 13-06-06-010 | 1         | Spring Pin (6×10)                            |
| 11        | 46-05-42-421 | 1         | Control Valve Knob                   | 39        | 46-97-56-000 | 1         | Exhaust Plate (20×1)                         |
| 12        | 46-19-57-809 | 1         | Exhaust Deflector                    | 40        | 46-97-60-180 | 1         | Spring (2.8×8.5×0.3)                         |
| 13        | 46-19-50-429 | 1         | Silencer                             | 41        | 46-97-60-660 | 2         | Spring (4.6×9×0.45)                          |
| 14        | 46-19-58-353 | 1         | Filter                               | 42        | 46-97-72-200 | 1         | Throttle Valve Spring (9×10×25)              |
| 15        | 43-11-10-370 | 1         | Rear Plate                           | 43        | 13-03-01-020 | 1         | Retaining Ring (H-20)                        |
| 16        | 43-11-07-360 | 1         | Liner                                | 44        | 13-05-02-012 | 2         | Steel Ball (3/16)                            |
| 17        | 43-11-19-390 | 1         | Rotor                                | 45        | 46-98-12-100 | 1         | Steel Ball (3/8)                             |
| 18        | 13-71-07-003 | 6         | Vane                                 | 46        | 13-01-20-004 | 2         | Bearing (EE-4)                               |
| 19        | 43-11-10-380 | 1         | Front Plate                          | 47        | 13-11-01-006 | 1         | O'Ring (P-8)                                 |
| 20        | 43-11-07-A70 | 1         | Liner Pin                            | 48        | 13-11-17-108 | 1         | O'Ring (AS568-108)(Ring-Retainer Type)       |
| 21        | 43-11-19-520 | 1         | Clutch Housing                       | 49        | 13-11-17-032 | 1         | O'Ring (AS568-032)                           |
| 22        | 43-14-08-490 | 1         | Shank Bushing                        | 50        | 13-11-17-035 | 1         | O'Ring (AS568-035)                           |
| 23        | 43-11-19-930 | 1         | Housing Adaptor Ring                 | 51        | 13-11-03-014 | 1         | O'Ring (S-16)                                |
| 24        | 43-11-19-430 | 1         | Cam                                  | 52        | 13-11-03-015 | 1         | O'Ring (S-18)                                |
| 25        | 43-11-19-440 | 1         | Cage                                 | 53        | 13-12-02-023 | 1         | Oil Seal (VB-19.05×25.4×3.2)                 |
| 26        | 43-11-19-450 | 1         | Dog                                  | 54        | 13-73-05-029 | 1         | Name Plate                                   |
| 27        | 43-11-19-470 | 1         | Cage Cap                             | 55        | 13-30-01-110 | 4         | Rivet (No0×3.2)                              |
| 28        | 43-11-20-500 | 1         | Anvil Shank (L) (Ring-Retainer Type) | 57        | 13-11-03-004 | 1         | O'Ring (S-6)                                 |
|           | 43-11-19-500 | (1)       | Anvil Shank (S) (Ring-Retainer Type) |           | 43-11-19-01B | (1CP)     | Motor Housing CP (Incl. Index No 2.4,7&33)   |
|           | 43-11-22-500 | (1)       | Anvil Shank (L) (Pin-Hole Type)      |           | 43-11-19-52B | (1CP)     | Clutch Housing CP (Incl. Index No 21,22&53)  |
|           | 43-11-21-500 | (1)       | Anvil Shank (S) (Pin-Hole Type)      |           | 43-11-20-50F | (1CP)     | Anvil Shank (L) CP (Incl. Index No 28,29&48) |
|           |              |           |                                      |           | 43-11-19-50F | (1CP)     | Anvil Shank (S) CP (Incl. Index No 28,29&48) |