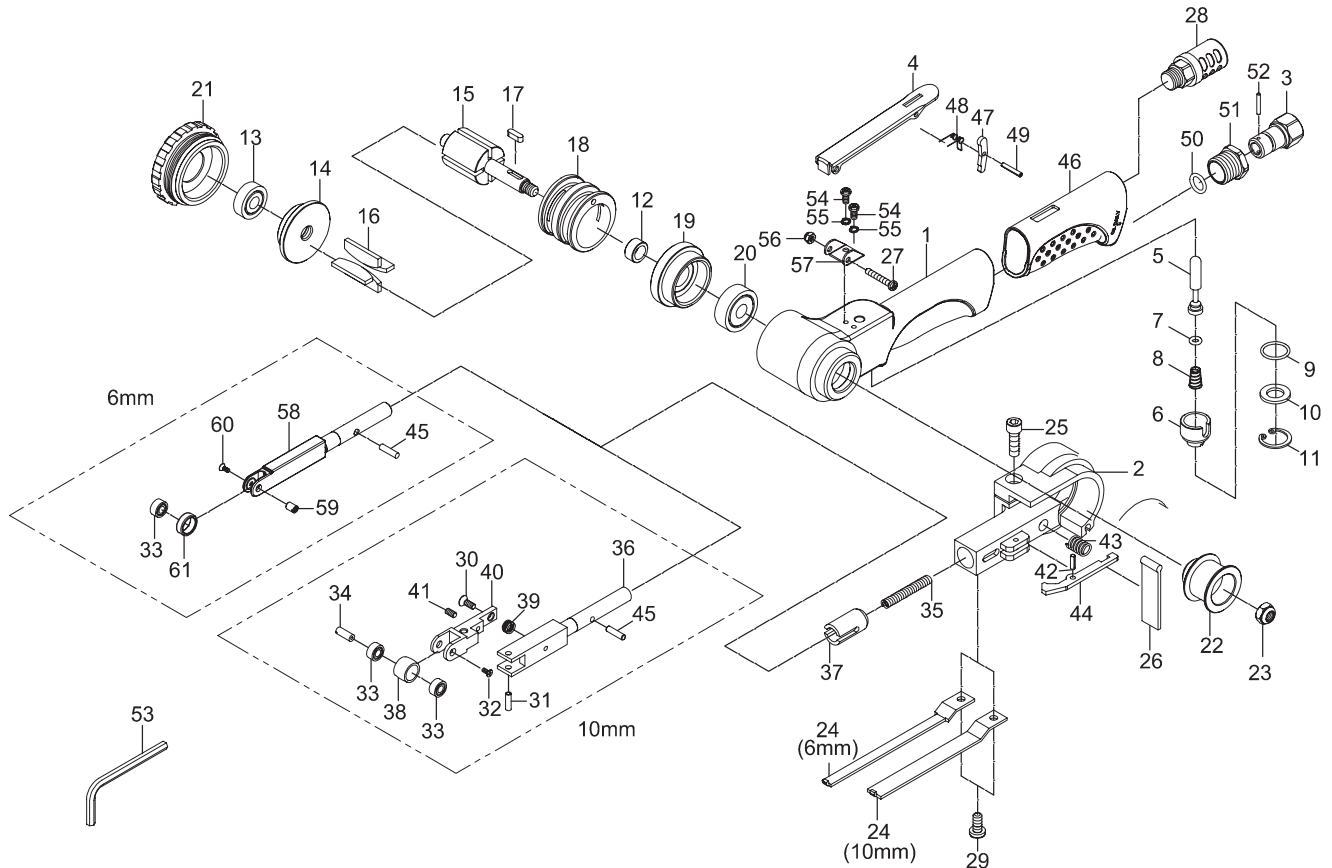


# RRG-3617K BELT SANDER



Index No.	Parts No.	Description	Index No.	Parts No.	Description
1	61001	Motor Housing	31	61036	Spring Pin (3x10)
2	61002	Guard	32	61037	Screw (M2x5)
3	6T-620003	Air Inlet	33	061038	Ball Bearing (3) (684zz)
4	6T-620004	Throttle Lever	34	61039	Idle Pulley Shaft
5	62005	Valve Stem	35	61040	Spring
6	62006	Valve	36	61041	Tension Bar
7	30107	O-Ring (3.9x1.9)	37	61042	Bushing
8	62008	Spring	38	61043	Idle Pulley
9	62009	O-Ring (14.5x1.5)	39	61044	Spring
10	62010	Spacer	40	61045	Bracket
11	62011	Retaining Ring (RTW-18)	41	61046	Screw (M3x6)
12	61012	Spacer	42	61048	Spring Pin (2.5x8)
13	051825	Ball Bearing (607zz)	43	61049	Spring
14	61014	Rear End Plate	44	61050	Safety Lever
15	61015	Rotor	45	61249	Lock Pin (2) (3x11.8)
16	61016	Rotor Blade (4)	46	6T-620052	Grip
17	61017	Key (3x3x10)	47	51540-228	Safety Bar
18	61018	Cylinder	48	51541-12	Spring
19	61019	Front End Plate	49	40337	Spring Pin (3x18L)
20	061020	Ball Bearing (628zz)	50	40130	O-Ring (8.8x1.7)
21	61021	Cap	51	6T-620007	Screw
22	61222	Drive Pulley	52	PN02001308	Pin (2x13.8)
23	63042	Hexagon Nut (M6)	53	10014	Hex. Key Wrench (4mm)
24	60624	Shoe (6mm)	54	6T-620032	Screw (2) (M4x8L)
	61024	Shoe (10mm)	55	40147	Spring Washer (2)
25	40343	Bolt (M5x16)	56	6T-620034	Nut (M4)
26	61026	Dust Cover	57	6T-620031	Lever Support
27	6T-620030	Screw (M4x25L)	58	60641	Tension Bar
28	62056-11S	Muffler	59	60639	Idle Pulley Shaft
29	62032	Screw (M4x8)	60	61037	Screw (M2x5)
30	61035	Screw (M3x8)	61	60643	Idle Pulley